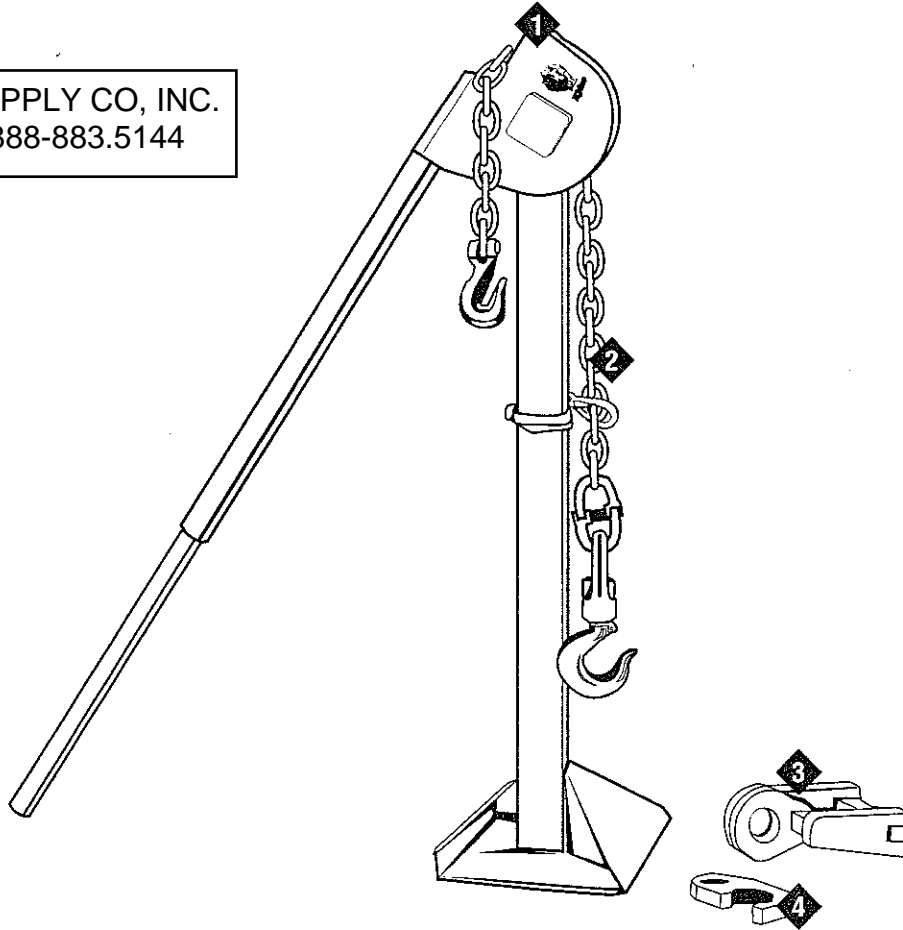


# FAST FACTS...

## Model MP-3 Manual Post Puller & Accessories

CROWDER SUPPLY CO, INC.  
TOLL FREE 888-883.5144



	Model and/or Part No.	Height	Base Dimensions	Handle Length Extended	Weight
1	MP-3 71012*	41" 1.04 m	9-1/2" x 12" 241 mm x 304 mm	60" 1.52 m	39.54 lbs 17.94 kg
2	220422	Chain Assembly is 45.25" (1.15 m) long, 3/8" (9.52 mm) Grade 80 Alloy Chain with 3.5 Ton (3.17 MT) Grab Hook and 3 Ton (2.72 MT) Swivel Hook Weighing 9.44 lbs (4.28 kg).			
3	71040	Post Grabber with an Opening of 4-3/8" Wide x 2-1/2" Deep (111 mm x 63.5 mm) for the Post to be Pulled and a 1-1/2" (38.1 mm) Hook Eye Opening, Weighing 11.38 lbs (5.16 kg).			
4	71041	Panel Post Grabber for Pulling 1-5/8" (41.3 mm) Line Posts Between Temporary Fence Panels. Weighing 2 lbs (0.9 kg).			

\* The Model MP-3, Part No. 71012, includes the Chain Assembly, Part No. 220422, and Post Grabber, Part No. 71040.

