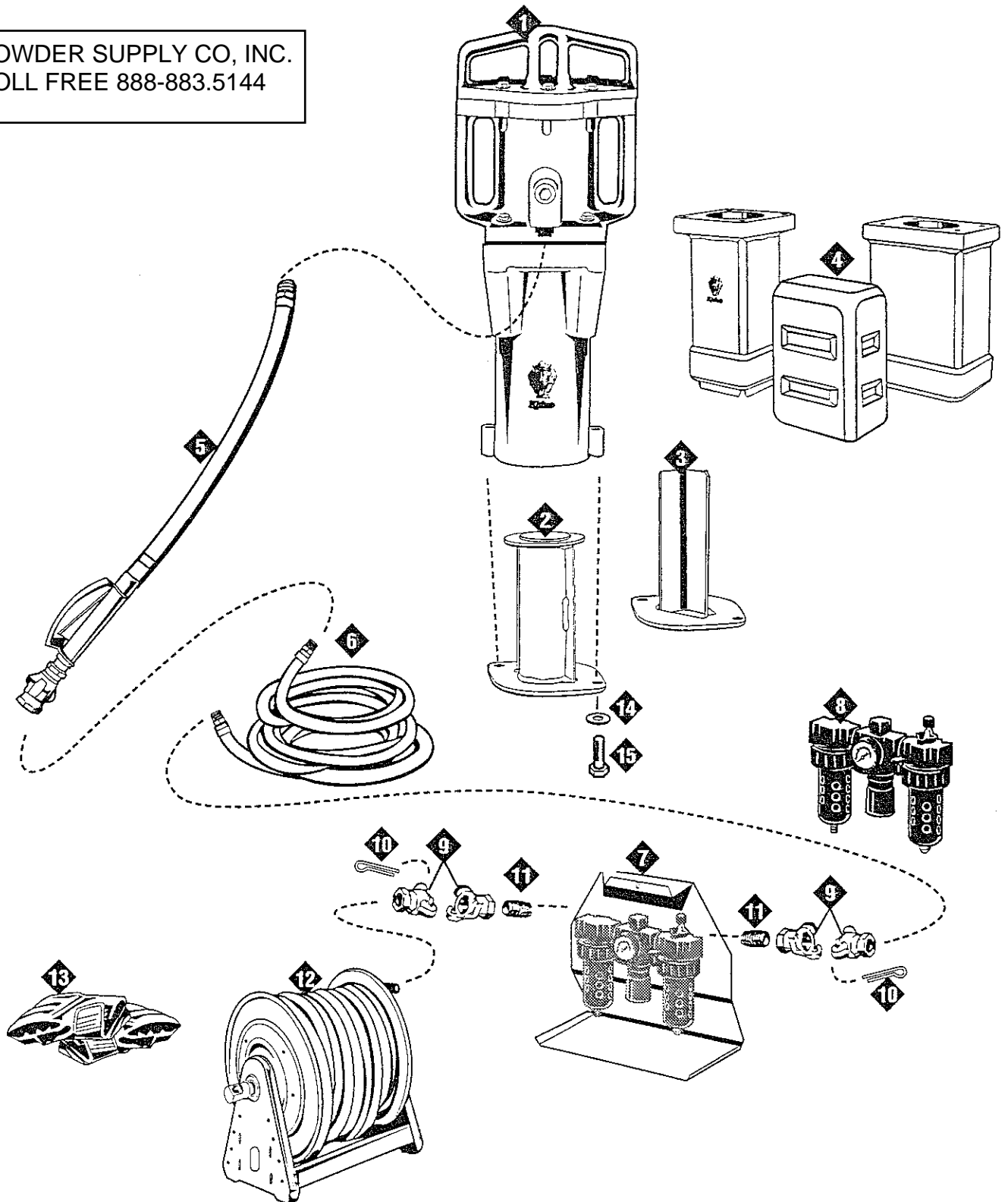


Rhino FAST FACTS...

PD-140 Air Operated Post Driver & Accessories cont.

CROWDER SUPPLY CO, INC.
TOLL FREE 888-883.5144



Rhino FAST FACTS...

PD-140 Air Operated Post Driver & Accessories List

Illus. No.	Part No.	PD-140 Specifications <i>(All drivers are equipped with the exclusive Rhino Alloy, Double Valve Piston.)</i>
1	70015	PD-140 Heavy Duty Post Driver with a 4 1/4" (107.9 mm) I.D. Master Chuck, uses 64 CFM (1.81 m ³ /min) @ 100 psi (7 kg/cm ²). Approx. Wt. 138.7 lbs (62.9 kg)
2	70634	3 5/8" (92 mm) I.D. Chuck Adapter*
	70635	3" (76.2 mm) I.D. Chuck Adapter*
	70636	2 1/2" (63.5 mm) I.D. Chuck Adapter*
3	70640	Channel Post Chuck Adapter - 1.2 to 1.5 lbs/ft Posts*
	70641	Channel Post Chuck Adapter - 2 to 2.75 lbs/ft Posts*
	70642	Channel Post Chuck Adapter - 3 to 4 lbs/ft Posts*
4	70061	4" x 6" (101 mm x 152 mm) H Column Chuck*
	70062	4" x 6" (101 mm x 152 mm) H Column Drive Cap
	70063	4" x 4" (101 mm x 101 mm) Wood Post Chuck*
5	600000	Throttle Valve Kit with 2' (61 cm) Hose Assembly, 2 Couplers, 1 Safety Clip.
	605006	3/4" (19 mm) Extra Hose <i>(Only Available to Extend Hose Assembly to Desired Length)</i>
6	607000	3/4" (19 mm) Hose Assembly <i>(Order Length Needed)</i>
7	225000	Carrier for Filter-Regulator-Lubricator
8	601128	Filter-Regulator-Lubricator <i>(Used with all Post Drivers for Operator Safety & Post Driver Protection)</i>
9	606600	Air Line Coupler <i>(Optional on F-R-L)</i>
10	606601	Coupler Safety Clip <i>(Optional on F-R-L)</i>
11	230401	Nipple <i>(Optional on F-R-L)</i>
12	100047	Air Hose Reel with 100 ft (30.5 m), 3/4" (19 mm) Air Hose Included
	100048	100 ft (30.5 m), 3/4" (19 mm) Air Hose Assembly
	100295	Air Hose Reel Only
13	995051	Pair/Anti-Vibration Gloves - Size Small
	995052	Pair/Anti-Vibration Gloves - Size Medium
	995053	Pair/Anti-Vibration Gloves - Size Large
	995054	Pair/Anti-Vibration Gloves - Size X-Large
	995055	Pair/Anti-Vibration Gloves - Size XX-Large
14	517702	Compression Washer
15	500178	Cap Screw

* Note: Includes Necessary Cap Screws and Compression Washers.

