

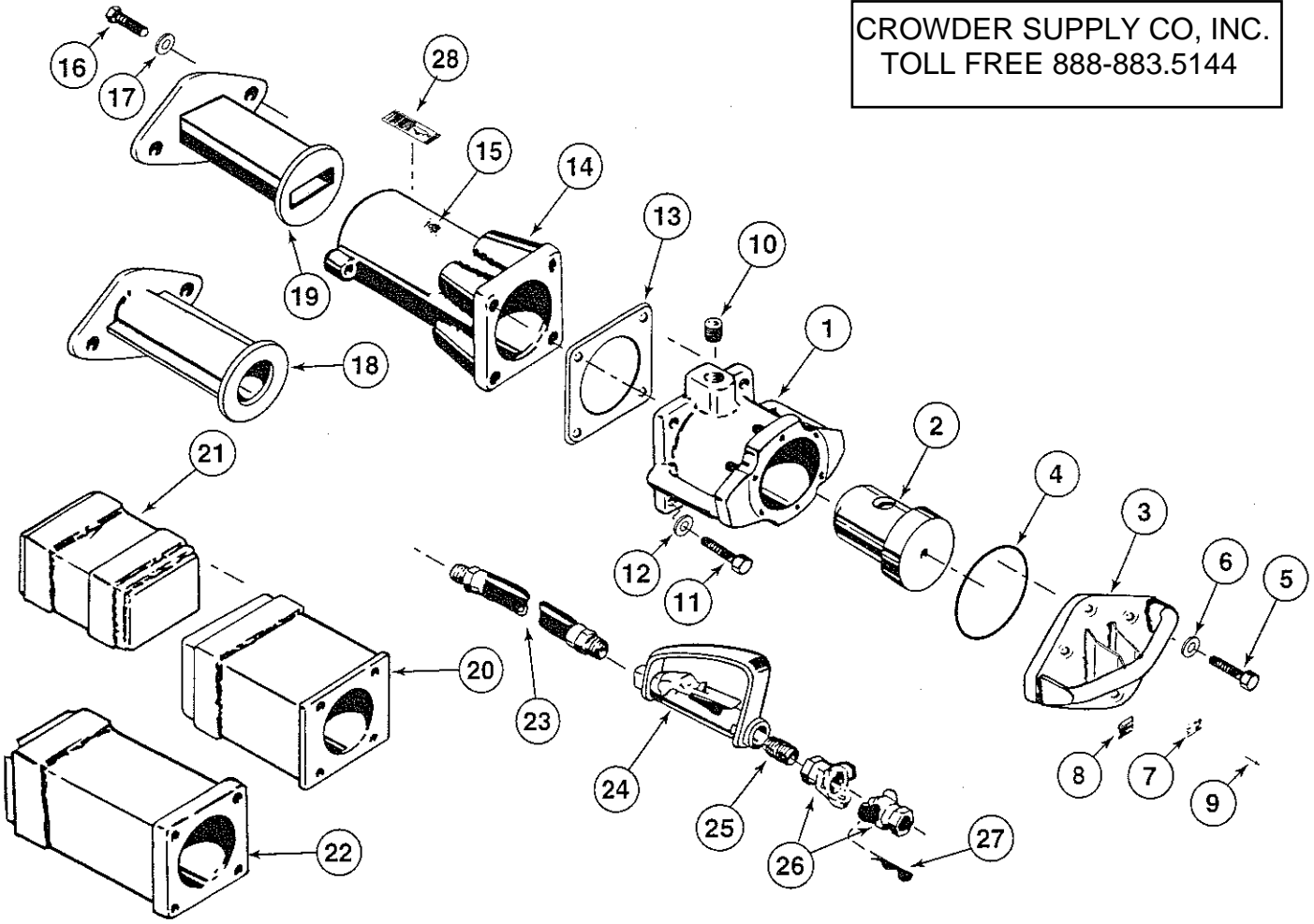
Rhino[®] Exploded View

PD-140 Air Operated Post Driver & Accessories

Toll Free: 888-883-5144

Toll Free: 888-883-5144

CROWDER SUPPLY CO., INC.
TOLL FREE 888-883.5144



CrowderSupply.COM

CrowderSupply.COM





Rhino Parts List


PD-140 Air Operated Post Driver & Accessories

NO.	DESCRIPTION	PART NO.	NO. REQUIRED
	Model PD-140 with 4 1/4" (107.9 mm) I.D. Master Chuck	70015	
1	Body	70585	1
2	Piston	70046	1
3	Top Cover	70595	1
4	O-Ring	499403	1
5	Cap Screw	500023	6
6	Compression Washer	517705	6
7	Model/Serial No. Plate	241	1
8	Warning Plate	242	1
9	Pop Rivet	519004	8
10	Pipe Plug	230400	1
11	Cap Screw	500182	4
12	Compression Washer	517702	4
13	Gasket	700002	1
14	4 1/4" (107.9 mm) I.D. Master Chuck Assembly (Includes Nos. 11, 12, 13, 14, 15, 28)	70594	1
15	Rhino Decal	135	1
16	Cap Screw	500178	2
17	Compression Washer	517702	2
18	3 5/8" (92 mm) I.D. Chuck Adapter*	70634	
	3" (76.2 mm) I.D. Chuck Adapter*	70635	
	2 1/2" (63.5 mm) I.D. Chuck Adapter*	70636	
19	Channel Post Chuck Adapter (1.2 to 1.5 lbs/ft Posts)*	70640	
	Channel Post Chuck Adapter (2 to 2.75 lbs/ft Posts)*	70641	
	Channel Post Chuck Adapter (3 to 4 lbs/ft Posts)*	70642	
20	4" x 6" (101 mm x 152 mm) H Column Chuck*	70061	1
21	4" x 6" (101 mm x 152 mm) H Column Drive Cap	70062	1
22	4" x 4" (101 mm x 101 mm) Wood Post Chuck*	70063	1
	*See Chuck Sizing Tech Data (Form No. 121-1); Includes Necessary Cap Screws and Compression Washers		
	Throttle Valve Kit with 2 ft Hose Assembly (Includes Nos. 23, 24, 25, 26, 27)	600000	
23	3/4" (19 mm) Hose Assembly	607000	1
	3/4" (19 mm) Hose Per Foot (Order Length Needed)	605006	
24	Throttle Valve with Lever Guard	610026	1
25	Pipe Nipple	230401	1
26	Coupler	606600	2
27	Safety Clip	606601	1
28	Warning Label	245	1



Rhino Tool Company • 620 Andrews Ave., PO Box 111 • Kewanee, IL 61443 • www.rhinotool.com • Tel: 309-853-5555 • Fax: 309-856-5905

Rhino Tool Company has a policy of continuous product improvement and reserves the right to change specifications, designs, or prices at any time without notice or incurring obligations for said changes.

Rhino and  are registered trademarks of Rhino Tool Company. © Copyright 2002 Rhino Tool Company

Printed in U.S.A.

Form 240 - 1/02