

CROWDER SUPPLY CO., INC.
TOLL FREE 888-883.5144



OPERATING & SERVICE INSTRUCTIONS

Model PL-3 Hydraulic Post Puller

Your Rhino Model PL-3 Hydraulic Post Puller has been designed to make pulling posts as easy as possible.

It is **VERY IMPORTANT** to understand your post puller operating instructions before using your unit. It is also very important that you make sure all operators are trained to operate your post puller safely. If you or any operator doesn't understand any of the instructions, call Rhino collect at (309) 853-5555 and we will be happy to answer any questions.

**⚠ WARNING – AVOID SERIOUS INJURY OR DEATH,
READ BEFORE USING YOUR POST PULLER!**

GENERAL INSTRUCTIONS

The PL-3 Hydraulic Post Puller is meant to pull posts up to 4" x 4" wood posts or 4" x 6" H column beams. Do not overload the post puller. It is designed as a 3 ton puller.

⚠ WARNING – DO NOT USE THE PL-3 HYDRAULIC POST PULLER FOR ANY APPLICATION OTHER THAN THOSE SPECIFIED BY THE MANUFACTURER

SAFETY EQUIPMENT:

Do not operate the post puller unless the operator and any others near the post puller are wearing hard hats, safety glasses, safety shoes, back supports, and any other safety equipment advised by ANSI, NIOSH, OSHA, or any other safety regulatory agency, or the employer or the owner of this post puller.

CARRYING/STORAGE CONFIGURATION:

The Model PL-3 Hydraulic Post Puller is shipped to you in the carrying/storage configuration. The PL-3 should be carried by the half round bar located on the back of the unit for balance. After use, the unit should be reassembled to the carrying/storage configuration, so all components will be rigid and easily transportable. Secure the handle so it will not be lost.

SETTING UP FOR USE:

Straddle the post to be pulled with the puller feet. The post should be centered between the feet and as close to the hydraulic cylinder as possible. Remove the pump handle from its storage socket. Use the two notches on the lower end of the handle to turn the hydraulic valve on the lower part of the hydraulic pump/cylinder counter clockwise. This opens the cable/hook assembly from its carrying position on the puller support leg. Place a Rhino Post Grabber around the post or double wrap a chain around the post to be pulled. Additional chain must be at least 3/8" grade 80 chain with a minimum working load capacity of 3 tons. Cross the chain over itself so it will tighten up as you start to pull. Connect the post grabber or chain to the puller hook. Using the pump handle, tighten the hydraulic valve clockwise.

⚠ CAUTION

SAFETY CHECKS: ALWAYS PUT SAFETY FIRST! Check your PL-3 each time you use it for loose bolts, broken or missing E clips or cotter pins, frayed or broken wires in the cable, cracks, bulges or abnormalities in welds, castings, pulley mount, base, pulley, pins, hook, anchor shackle, hydraulic ram or any other part on or used with the puller. Do not repair any parts. Immediately replace worn or defective parts with new ones. Do not use the post puller with worn or defective parts. Doing so could result in serious injury or death.

⚠ CAUTION

SAFETY PRECAUTIONS DURING USE: Stay clear of the chain assembly, chains, etc. and always use the safety restraint while pulling. If it is necessary to use a chain, always use a chain that is at least 3/8" grade 80, in excellent condition and has a working load rating of at least 3 tons like the

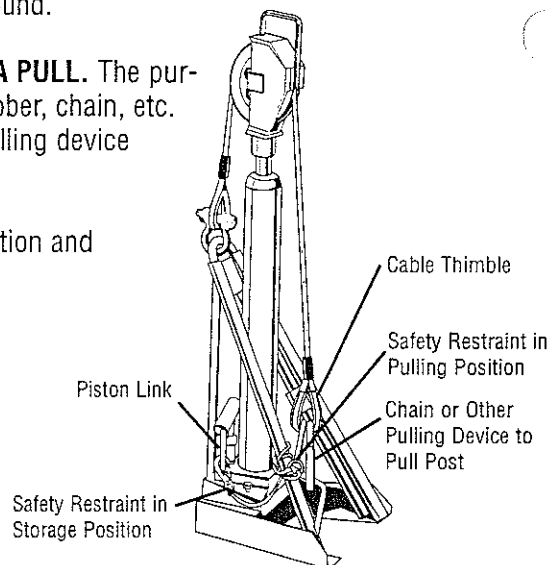
PL-3. A broken chain can whip upward and/or around causing injury. It is always best to have at least two people when pulling a post, one operating the post puller and one to control the post so it will not fall and injure someone as it comes out of the ground.

▲ WARNING

ALWAYS USE THE SAFETY RESTRAINT AT THE START OF A PULL. The purpose of the safety restraint is to restrain the hook, post grabber, chain, etc. from striking the operator in the event the chain or other pulling device breaks when the post is being pulled.

CONNECT SAFETY RESTRAINT:

Detach the hook of the safety restraint from its storage position and hook it into the cable thimble where the cable hook is attached to the cable.



USING THE POST PULLER:

Insert the pump handle into the hydraulic pump socket. With an up and down motion, pump up the PL-3 hydraulic cylinder. As soon as the post starts moving out of the ground, remove the safety restraint from the cable thimble and reattach it to the base of the puller. If the safety restraint starts to become taut and the post hasn't started to move yet, lower the grabber or chain and start to pull again.

▲ WARNING

DON'T KEEP PULLING AFTER THE SAFETY RESTRAINT BECOMES TAUT OR YOU WILL BREAK IT.

After the post starts to move, the pressure to keep the post moving will be less and the safety restraint can be removed. If the post stops coming up, reposition the post grabber or chain to the base of the ground again and reconnect the safety restraint.

▲ WARNING

DO NOT OVERLOAD THE POST PULLER. IF YOUR PUMP HANDLE STARTS TO FLEX OR BEND, STOP PUMPING. YOU ARE AT THE POINT OF OVERLOADING YOUR POST PULLER.

If the post to be pulled is deeper than three feet, you may have to collapse the hydraulic cylinder to lower the post grabber or chain on the post to pull it further.

▲ WARNING

DO NOT ATTEMPT TO PULL POSTS THAT HAVE BEEN SET IN CONCRETE. THE POST PULLER FEET WILL SET ON TOP OF THE CONCRETE AND YOU WILL BE USING THE PULLER'S HYDRAULICS TO PULL AGAINST ITSELF, WHICH MAY CAUSE DAMAGE TO THE UNIT.

In some cases, posts may be very hard to pull. The larger the post, the more force it takes to pull it. Sometimes the posts rust and seem to bond with certain types of soil. When some soils dry out, they become concrete-like and make it very difficult, if not impossible, to pull. If you have a post that is difficult to pull, start to pull the post and, while there is hydraulic pressure pulling on the post, have someone hit the post with a sledge hammer to shock it and perhaps cause it to release from the soil. Some posts may be so firmly embedded in the soil that they will have to be dug out.

STORING THE POST PULLER:

After the post is pulled, release the hydraulic valve, turning it counter clockwise. Collapse the hydraulic cylinder and reconnect the hook to its carrying position on the support leg. Using the pump handle, close the hydraulic valve by turning it clockwise and pump the hydraulic cylinder up until the cable is taut. Do not apply very much pressure. You simply want to tension the cable so that the unit is easily carried. Place the pump handle in its storage socket. The unit is now ready to be stored until you need it again.

▲ WARNING

If your PL-3 warning label is marred or destroyed, replace it immediately. Simply call Rhino Tool Company and we will send you a new warning label at no charge.

▲ CAUTION

Do not repair any PL-3 parts. Order new ones. If the cable assembly becomes worn, replace it immediately with a new cable assembly.

If your Model PL-3 Hydraulic Post Puller, or any other Rhino product or part is not performing properly, let Rhino or your Rhino dealer, distributor or representative know. If you don't know what is wrong with your Rhino unit, you can send it, freight prepaid, to Rhino Tool Company and we will examine it free of charge and let you know what is wrong, if it can be fixed and what it will cost for repair. Remember, freight must be prepaid so please call first so we are expecting your unit. If there is nothing wrong with your unit or if your unit is repaired, Rhino always replaces all bolts, lock washers and gaskets with a charge for those parts along with reassembly.

You have purchased a quality, rugged post puller and if you give your Rhino Post Puller reasonable care, it will give you efficient, trouble-free service.

If you have any questions regarding the operation of your Model PL-3 Post Puller, please let us know - we will be happy to help.

Crowder Supply Co., Inc.

Toll Free: 888-883-5144

CrowderSupply.COM

Crowder Supply Co., Inc.

Toll Free: 888-883-5144

CrowderSupply.COM

