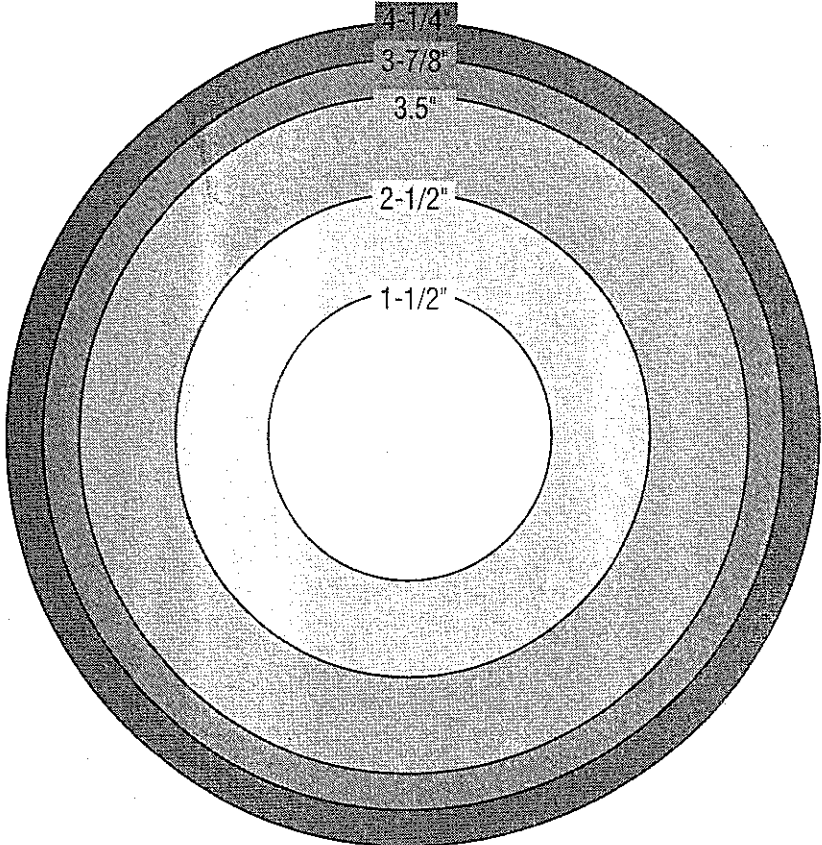




TECH DATA

Chuck Sizing Guide



CHUCK AND CHUCK ADAPTER SIZE IS IMPORTANT!

A chuck that is too large will allow the Driver to sit on the post at an angle which may contribute to a condition which would allow the post driver to fall from the post causing serious injury or death. A post driver sitting on the post at an angle may also cause damage to the Post Driver. The Post Driver should sit squarely on top of the post. This will result in the impact energy being directed down into the post. Faster, more efficient driving is the result.

To choose the proper standard chuck or chuck adapter, use the circles on the front of the Tech Data or the shapes on the reverse side which represent the chuck and adapter inside dimensions. For square, round, H, T, rectangular, I, or other symmetrical shaped posts, a round chuck or chuck adapter is best. For channel posts use the shapes on the reverse side. The outline of the 4" x 4" (101 mm x 101 mm) wood post chuck and 4" x 6" (101 mm x 152 mm) steel H column driving cap are also shown. Check the circles or shapes against the size of your post and pick the smallest size that has enough clearance, not less than 1/8" (3.1 mm) or more than 5/8" (15.8 mm) larger than the post to be driven. This will allow the post to slide freely in and out. If a round post is to be driven, leave at least 1/8" (3.1 mm) clearance for air exhaust. If the fit is too close, use the next larger chuck.

WARNING

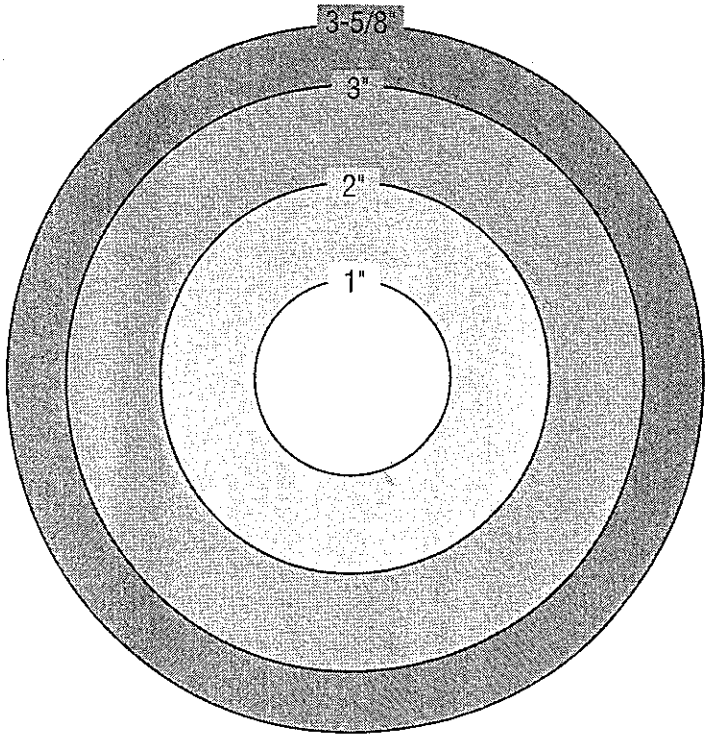
A CHUCK OR CHUCK ADAPTER THAT IS TOO LARGE FOR THE POST BEING DRIVEN MAY CONTRIBUTE TO A CONDITION WHICH WOULD ALLOW THE POST DRIVER TO FALL FROM THE POST CAUSING SERIOUS INJURY OR DEATH!

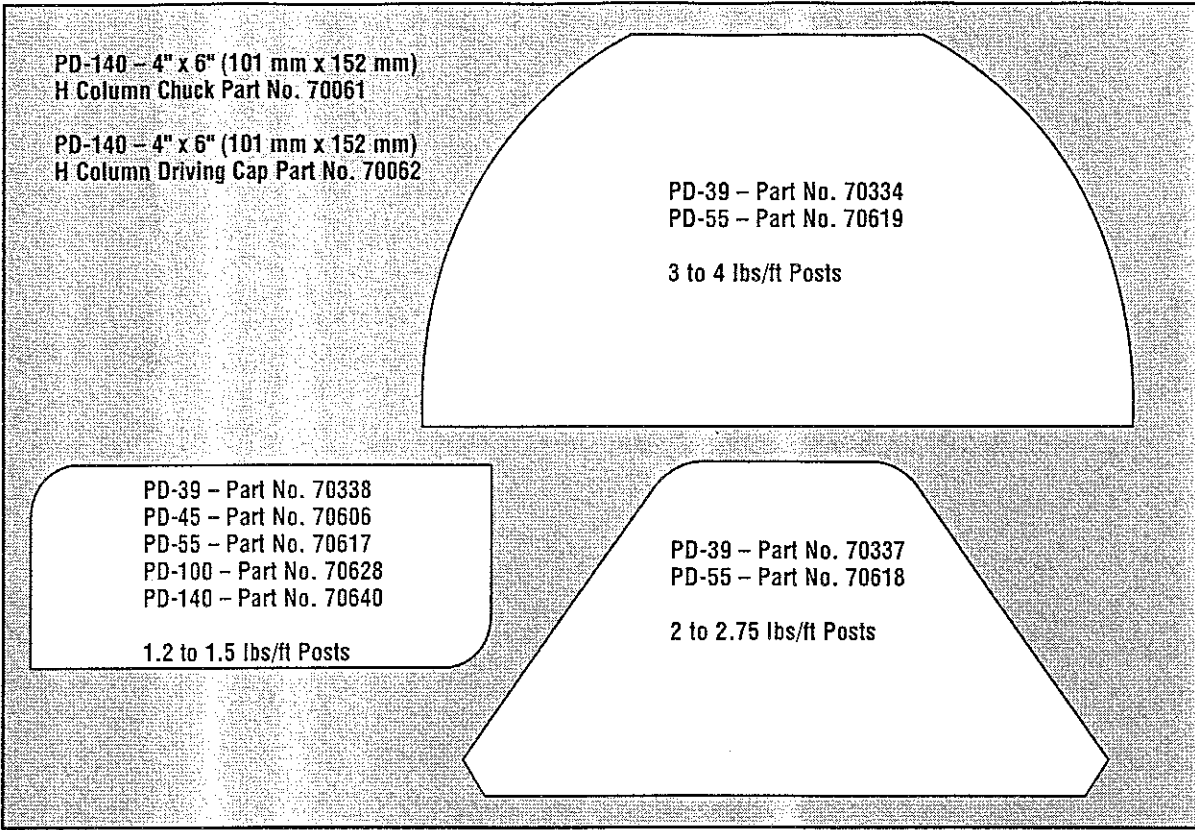
Master Chuck and Chuck Adapter Size and Part No. Chart*

(Select the proper Chuck I.D. or Shape, then order the Part Number in the column under your Post Driver's Model Number.)

Chuck & Chuck Adapter Nominal & Actual I.D. or Description	Post Driver Model No.				
	PD-39	PD-45	PD-55	PD-100	PD-140
4-1/4" - 4.250 (107.9 mm)	—	—	—	Master	Master
3-7/8" - 3.874 (98.4 mm)	—	—	Master	—	—
3-5/8" - 3.620 (92 mm)	Master	—	—	70622	70634
3-1/2" - 3.495 (88.9 mm)	—	—	70609	—	—
3" - 2.999 (76.2 mm)	70330	Master	70610	70623	70635
2-1/2" - 2.495 (63.5 mm)	70320	70600	70611	70624	70636
2" - 1.995 (50.8 mm)	70319	70601	70612	70625	—
1-1/2" - 1.495 (38.1 mm)	—	70602	70613	—	—
1" - 0.995 (25.4 mm)	—	70603	70614	—	—
1.2 to 1.5 Channel Post Adapter	70338	70606	70617	70628	70640
2 to 2.75 Channel Post Adapter	70337	—	70618	70629	70641
3 to 4 Channel Post Adapter	70334	—	70619	70630	70642
4" x 6" (101 mm x 152 mm) H Column Chuck for PD-140	—	—	—	—	70061
4" x 6" (101 mm x 152 mm) H Column Driving Cap	—	—	—	—	70062
4" x 4" (101 mm x 101 mm) Wood Post Chuck for PD-140	—	—	—	—	70063

*Special Chucks can be designed for your job.





The chucks are identified by the nominal size but drawn to the I.D. size of steels used in their construction; the shapes are identified by part numbers for the Drivers they fit. If you cannot find a standard chuck or chuck adapter to fit your post or you think a special chuck is needed, call us, we'll be happy to answer your questions. Phone: 309/853-5555.

